

CITY OF OAKDALE PUBLIC WORKS DEPARTMENT

455 South Fifth Avenue • Oakdale, CA 95361 • Ph: (209) 845-3600 • Fax: (209) 848-4344

CITY
ADMINISTRATION
& FINANCE
DEPARTMENT
285 N. Third Ave.
Oakdale, CA 95361
(209) 845-3571
(209) 847-6834 Fax

COMMUNITY
DEVELOPMENT
DEPARTMENT
455 S. Fifth Ave.
Oakdale, CA 95361
(209) 845-3625
(209) 845-8903 Fax

FIRE DEPARTMENT
Station No. 1:
325 East "G" St.
Station No. 2:
450 S. Willowood Dr.
Oakdale, CA 95361
(209) 845-3660
(209) 847-5907 Fax

PARKS & RECREATION
DEPARTMENT
325 East "G" St.
Oakdale, CA 95361
(209) 845-3591
(209) 845-3692

POLICE DEPARTMENT
245 N. Second Ave.
Oakdale, CA 95361
(209) 847-2231
(209) 847-3790 Fax

CITY OF OAKDALE
WEBSITE
www.ci.oakdale.ca.us
E-MAIL
info@ci.oakdale.ca.us

April 8, 2026

The City of Oakdale invites you to bid on the following project:

Sewer Main Replacement Project (Project # 26-004)

(North 5th Avenue between A Street and B Street.)

Project Timeline:

Work to begin: Immediately after City Council acceptance of bids

Work to be completed: The work shall be completed within 30 days from the start date.

Detailed Specifications:

Project Scope of Work

The project consists of replacing the existing 8-inch concrete sewer main with a new 8-inch SDR 26 sewer pipe along North 5th Avenue between East A Street and East B Street.

Sewer Main Replacement

- Remove and replace the existing 8-inch concrete sewer main.
- Install approximately **316 linear feet** of 8-inch SDR 26 sewer pipes from the existing lamp hole at **540 North 5th Avenue** to the existing manhole located on **East B Street**.
- Install approximately **158 linear feet** of 8-inch SDR 26 sewer pipe from the second cleanout on the north side of **540 North 5th Avenue** to the existing manhole located on **East A Street**.
- **Backfill Material:** Use pea gravel up to 2 inches above the pipe, followed by native soil or base rock.

Sewer Laterals

- Locate and identify **approximately sixteen (16) sewer laterals**.
- Install approximately **sixteen (16) sewer lateral connections**.
- Extend each lateral to the back of sidewalk for each property served.

- Install a **4-inch cleanout at the back of sidewalk** and connect it to the corresponding sewer lateral. Provide and set an F-8 box with a sewer lid.
- Some locations may require cutting and replacing a 4 ft x 4 ft concrete section to install a 4-inch cleanout.

Manhole Improvements

- Remove two (2) existing sewer lamp holes.
- Replace removed lamp holes with two (2) new small shallow sewer manholes to improve access and long-term maintenance.
- **B Street Manhole:** Remove and replace the existing manhole. (See City Standard attached.)
- Manhole at **A Street:** Tie into the sewer at the base of the manhole, break out the existing pipe, mortar and clean the manhole.
- Install required **water stops at each manhole connection.**
- Manholes invert depths
 - A-Street – 4.03 ft invert
 - B-Street- 4.30 ft invert
- Lamp-hole depths: It is recommended to leave an 18-inch cone for shallow manholes.
 - Flowing toward A Street-2.80 ft invert.
 - Flowing toward B Street-2.00 ft invert.

Excavation and Surface Restoration

- Perform all necessary excavation, trenching, shoring, and traffic control.
- Furnish and install pipe backfill, and compaction in accordance with City standards.
- Place **12 inches of aggregate base.**
- Install **3 inches of trench paving** for final surface restoration.
- Complete all appurtenant work necessary for a fully operational system.
- Backfill Material: Use pea gravel up to 2 inches above the pipe, followed by native soil or base rock.

General Requirements

- The Contractor shall possess a valid Class A contractor's license issued by the California Contractors State License Board at the time of bid submission.
- Engineer's estimate is not available for this project.
- All work shall be performed in accordance with City standards, specifications, and applicable regulatory requirements. (See attached city standards below.)

Mandatory Job Walk: Mandatory pre-bid walkthrough on April 15, 2026, at 9:00 AM, at the corner of North 5th Avenue and A Street. Attendance required; non-attendees' bids will not be accepted.

Bids exceeding \$25,000 will require a Payment Bond of 100% of the contract price.

COMPLIANCE MONITORING

This project is subject to compliance monitoring and enforcement by the Department of Industrial Relations, Office of the Labor Commissioner.

PUBLIC WORKS PROJECT AWARD NOTIFICATION

The PWC 100 form should be completed on-line by the Awarding Body (City of Oakdale). The completion and the submission of this form fulfills the required public works project notification to both the Division of Apprenticeship Standards (Labor Code sec 1773.3 (replacing former DAS 13 notification) and the Division of Labor Standards Enforcement Public Works Compliance Monitoring Unit {8 Cal. Code Reg. sec. 16451 (a)}

CONTRACTOR REGISTRATION

In compliance with SB 854, no contractor or subcontractor may be listed on a bid proposal for a public works project (submitted on or after March 1, 2015) unless registered with the Department of Industrial Relations pursuant to Labor Code section 1725.5 [with limited exceptions from this requirement for bid purposes only under Labor Code section 1771.1(a)]. In addition, no contractor or subcontractor may be awarded a contract for public work on a public works project (awarded on or after April 1, 2015) unless registered with the Department of Industrial Relations pursuant to Labor Code section 1725.5.

CERTIFIED PAYROLL

All contractors and subcontractors must furnish electronic certified payroll records directly to the Labor Commissioner (aka Division of Labor Standards Enforcement).

For all new projects awarded on or after April 1, 2015, the contractors and subcontractors must furnish electronic certified payroll records to the Labor Commissioner.

As of January 1, 2016, the requirement to furnish electronic certified payroll records to the Labor Commissioner will apply to all public works projects, whether new or ongoing.

These requirements apply to all public works that are subject to prevailing wage requirement of the Labor Code without regard to funding source.

INSURANCE

\$2,000,000 General Liability and Automobile Liability Insurance will be required. Workers Compensation Insurance with limits of at least one million (\$1,000,000) will also be required along with a Waiver of Subrogation endorsement in favor of City, its officers, agents, employees, and volunteers. Certificates of insurance to be provided when bid is awarded.

Bids shall be received by Manuel Lopez via email at mlopez@oakdaleca.gov no later than 2:00 PM on April 22, 2026. No bids will be accepted after this time.

Please contact Manuel Lopez for additional information or questions regarding this project at 209-845-3619.

**INFORMAL BID – Sewer Main Replacement Project
(North 5th Avenue between A Street and B Street.)**

Please provide the following pricing/ quote for this project:

1. \$ _____

Signature

Date

Company Name

License #

DIR #

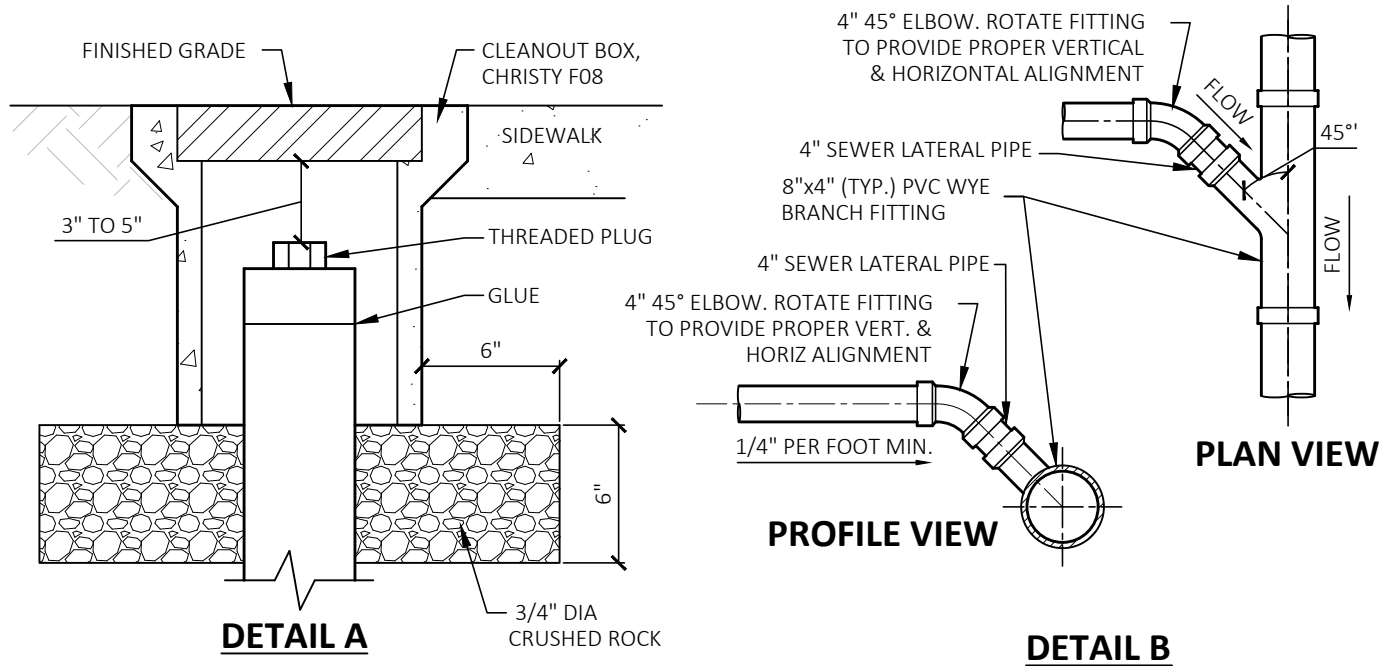
*** Please note: Bid forms other than this proposal document will not be accepted in lieu of this form.*

Please refer to the map below for an overview of the project area, including existing utility lines, manholes, and sewer lamp holes. One example of a sewer lateral is shown for reference.

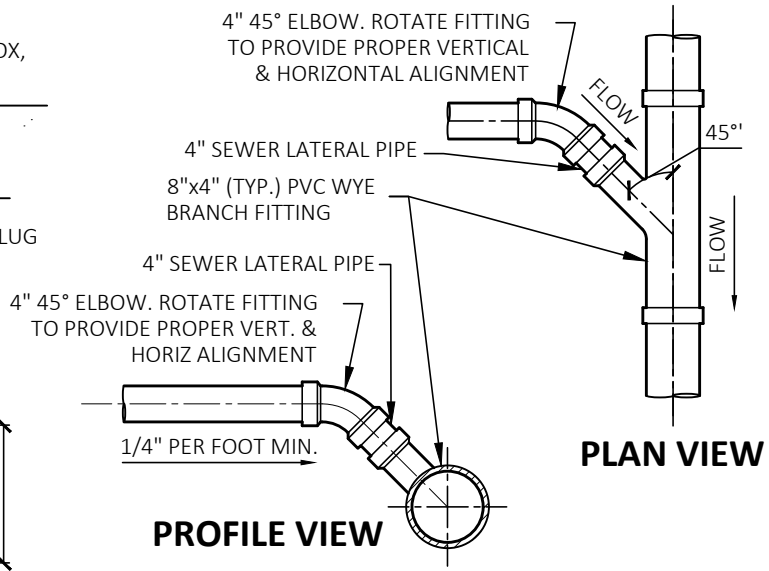
Please note that this map is a preliminary draft intended for general reference only. All locations are approximate and should not be considered exact.

 Sewer Manholes and Sewer Lamp Hole -- Lateral
 SS Sewer Main 

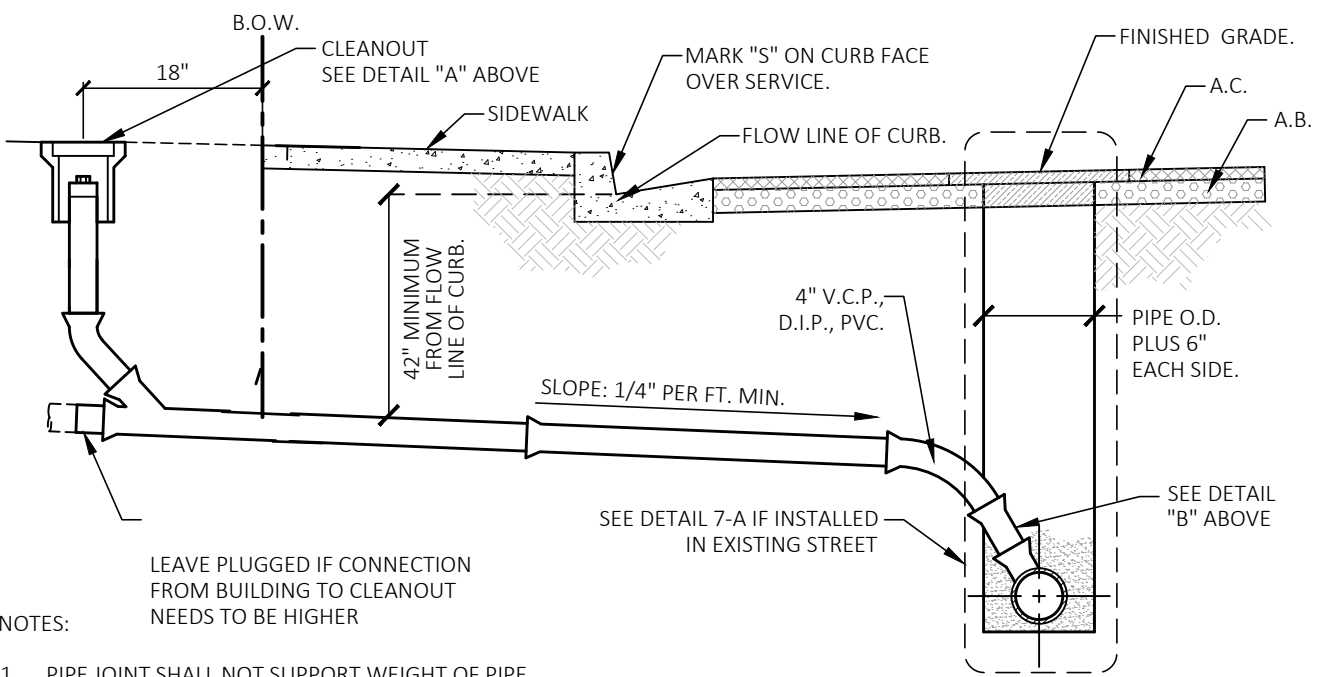




DETAIL A



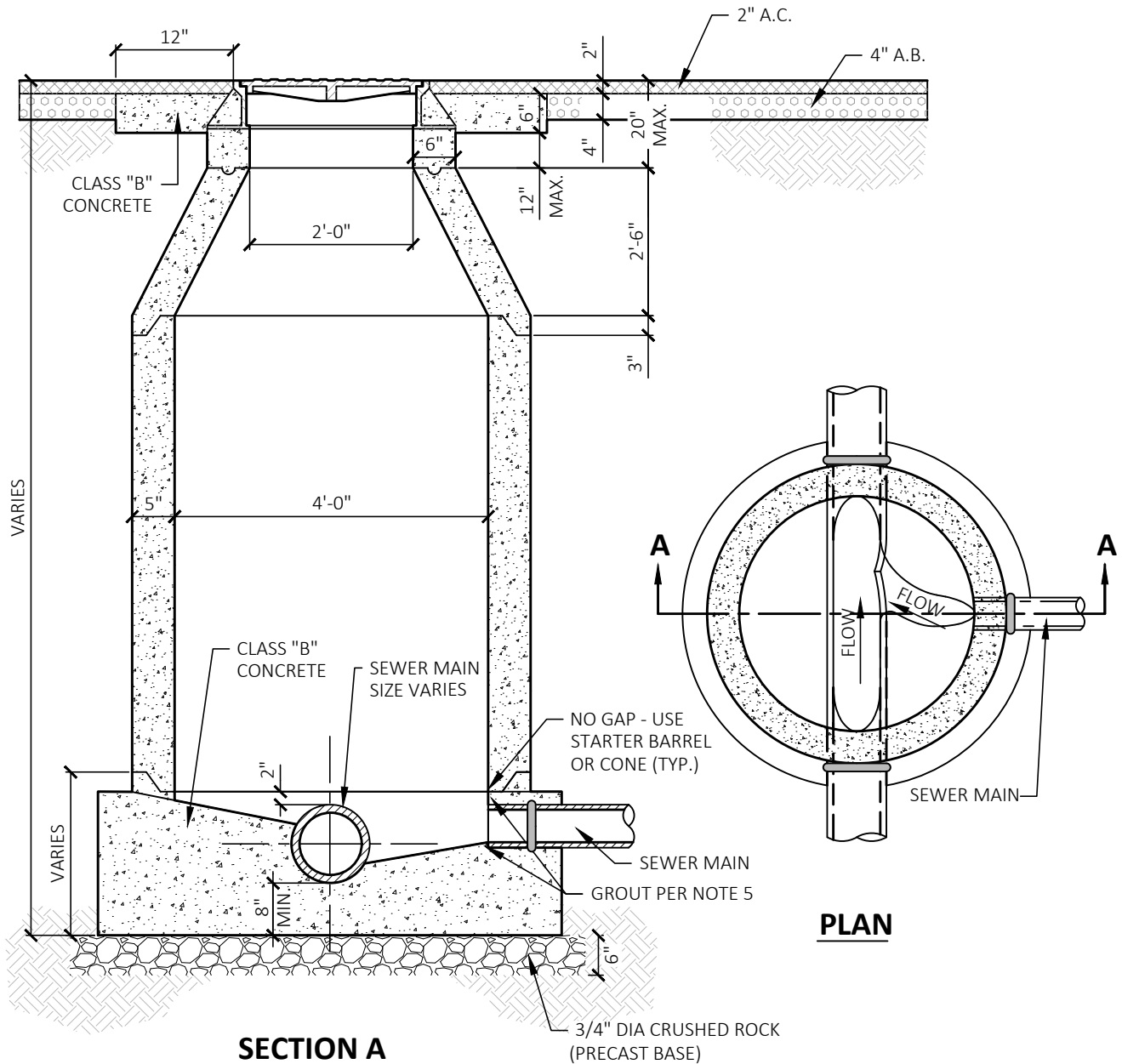
DETAIL B



NOTES:

1. PIPE JOINT SHALL NOT SUPPORT WEIGHT OF PIPE.
2. LATERAL SIZE TO BE DETERMINED BY DEVELOPER AND APPROVED BY THE CITY ENGINEER.
3. IN STREETS WHERE FLOWLINE OF MAIN SEWER IS MORE THAN 5 FEET BELOW FINISHED GRADE. A RISER WITH A 45° ELBOW MAY BE USED UP TO A POINT 5 FEET BELOW CURB GRADE, OR HOUSE CONNECTION MAY BE PLACED ON A UNIFORM SLOPE UP TO A POINT 3 FT. BELOW TOP OF CURB.
4. IF COVER IS LESS THAN 2'-6", ENCASE PIPE IN CONCRETE, MINIMUM OF 4" THICK.
5. SEWER LATERALS LOCATED IN DRIVEWAYS SHOULD BE AVOIDED WHEN POSSIBLE.
6. HOUSE LATERAL TO BE PLACED UNDER CURB AND SIDEWALK BY DRILLING 8" (MAX. DIA.) TUNNEL AND PLACING PIPE WITH NEOPRENE BANDED JOINTS WHEN STREET IMPROVEMENTS EXIST.

APPROVED BY CITY COUNCIL: RESOLUTION: 2025-094	<h2 style="margin: 0;">SEWER LATERAL</h2>	DATE: 09-15-25
	CITY OF OAKDALE DEPARTMENT OF PUBLIC SERVICES	DRAWING NO.
ROB MARLER, P.E. - CITY ENGINEER		<h1 style="margin: 0;">4-A</h1>



NOTES:

1. 2" TO 3" GRADE ADJUSTING RINGS REINFORCED AS REQUIRED.
2. STANDARD CONCENTRIC CONE SHALL CONFORM TO ASTM C418-61T.
3. STANDARD PRE-CAST MANHOLE SECTIONS SHALL CONFORM TO ASTM C418-61T.
4. BOTTOM OF MANHOLE SHALL BE CONSTRUCTED FROM FLOWLINE TO FLOWLINE AND SHAPED TO CONFORM WITH THE DIAMETER OF THE PIPE AND DIRECTION OF FLOW.
5. GROUT ALL JOINTS. RUBBER GASKET, BELL SPIGOT BARRELS PREFERRED, OR USE "RAM NEK" OR APPROVED EQUAL.
6. MANHOLE COVER TO BE MARKED "SEWER".
7. ADJUST FRAME TO GRADE AFTER PAVING.

APPROVED BY CITY COUNCIL:
RESOLUTION: 2025-094

Rob Marler

ROB MARLER, P.E. - CITY ENGINEER

SEWER MANHOLE

CITY OF OAKDALE
DEPARTMENT OF PUBLIC SERVICES

DATE: 09-15-25

DRAWING NO.

4-C